

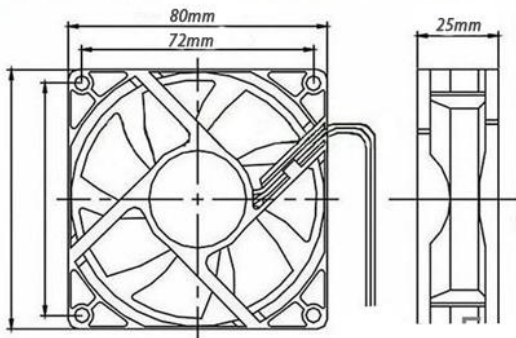
	
ITEM CODE:	HF80BK
DESCRIPTION:	FAN 80MM BLACK DC 12V 2000 RPM
QTY:	250 PCS
N.W:	14.5 KG
G.W:	15.2 KG
SIZE:	420×280×450 MM
 	



**HF80BK**

Fan 80MM Black DC 12V 2500 RPM Polybag

- specifications:
- Fan speed:2500RPM
- Voltage:DC12V
- current 170MA
- Air Flow:47CFM
- Noise Level:28BA
- Connector:4-Pin
- Color:black
- Dimensions:80x80x25mm
- Bearing:Sleeve