



*Quality
on Display*

FlexScan® L685

**46 cm (18.1")
COLOR LCD MONITOR**

Definitive Performance

The FlexScan L685 sets definitive new performance standards for 18.1" LCD monitors, and fulfills the central requirement of trading rooms and corporate settings for a top-quality display solution that saves space, maximizes image clarity and provides more accessible information in multi-panel configurations. In addition, its compatibility with EIZO's optional Screen Administrator software allows system administrators to set and manage a complete network of FlexScan monitors and client PCs from a single server, bringing significant savings in operating time and cost.

Key technical characteristics include EIZO's SlimEdge thin-bezel design on all four sides, industry-leading standards of brightness, contrast and viewing angles, multiple connectivity, an expanded color reproduction range and user-customization of numerous valuable display parameters.

For all professional applications which demand quality performance without compromise, the FlexScan L685 is today's definitive high-end solution.



SLIMEDGE DESIGN ALL THE WAY AROUND

A major advantage of the FlexScan L685 is obvious straight out of the box: EIZO's SlimEdge design on all four sides of the panel. With width and height figures of 399 mm and 328 mm respectively — unique among 18.1"



LCD monitors — this design provides three important, practical benefits. First, it saves space on the desktop, allowing more effective use of the work environment. Second, it maximizes continuity of the display area in multi-panel configurations. Third, it enables key information to be found more quickly and easily, resulting in faster response and more productivity.



CLASS-LEADING PICTURE QUALITY

Stable, accurate graphics and sharp, easily readable text are a matter of course for the FlexScan L685, which features the highest figures in the 18.1" class for picture brightness (250 cd/m²), contrast ratio (400:1) and viewing angles (170° horizontal and vertical). Coupled with an almost total absence of glare and distortion, this superior image quality makes the FlexScan L685 easy on the eye in more ways than one.

ENHANCED COLOR REPRODUCTION

Incorporating the very latest advances in color reproduction, this model offers a color space equivalent to that established by the European Broadcasting Union. In addition, it features an sRGB mode, which is the default setting for the Internet and also enables color matching between applications and hardware peripherals like scanners, printers and digital cameras. Individual customization is provided by the ColorManagement function, which allows independent user adjustment of hue, gain, saturation and color temperature.

THE RIGHT CHOICE FROM ANY ANGLE

When used as a single unit (freestanding on the desktop or arm-mounted in compliance with VESA mounting standards), the FlexScan L685 offers a wide range of positional adjustments to maximize viewing comfort. The panel's tilt and swivel angles are 41° and 70° respectively, and the stand has a vertical adjustment range of 100 mm, which gives more access to desktop space as well as increased choice of position. In addition, the panel pivots 90° so that users can switch as required between conventional landscape presentation and portrait mode for web browsing and viewing full-page text documents.



WALL- OR ARM-MOUNTING ONLY

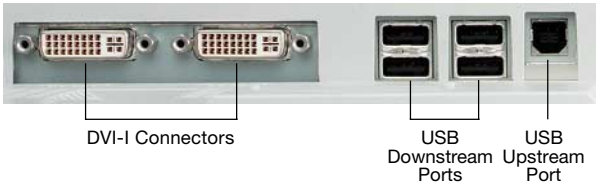
Users who intend wall- or arm-mounted use only can obtain the same monitor without the stand (L685-F).

*Multi-panel display with a clean, uncluttered desktop:
L685-F monitors in a standard 3 x 2 configuration.*



VERSATILE CONNECTIONS

Dual DVI-I connectors are provided to allow input from two computers simultaneously: these can be conventional legacy systems equipped with an analog video card, today's increasingly popular all-digital systems, or one of each. With two systems connected, input priority can be assigned to either, ensuring that time-critical information is displayed as soon as it

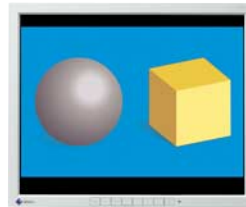


becomes available. For connecting low-speed peripherals, a USB hub with one upstream and four downstream ports is built-in.

FINE-TUNING THE IMAGE

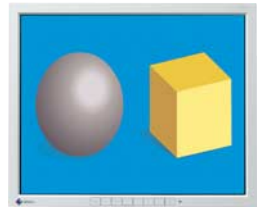
The panel's maximum resolution is 1280 × 1024. When lower resolutions are preferred, images can be scaled up to fill more of the screen, or the whole viewing area. Focus errors and jagged edges induced by scaling can be smoothed over in five adjustment gradations.

Enlarged Mode



Horizontal-vertical aspect ratio maintained.

Full Screen Mode



Horizontal-vertical aspect ratio changed to fill screen.

EASIER NETWORK MANAGEMENT

The complexities of network management in large-installation environments are greatly simplified by the FlexScan L685's compatibility with Screen Administrator™. This optional EIZO-developed software reduces TCO and raises work efficiency by enabling system administrators to confirm

client PC connections, transmit messages across the network, perform PC/monitor asset management operations and carry out various other tasks, all from a single server. For added security, the software automatically renders inoperable any FlexScan L685 removed from the network without authorization.



Messages sent to the network via Screen Administrator are displayed on-screen immediately.



Slim, space-efficient design, with a panel depth of only 65 mm and total depth of 203 mm.

FlexScan® L685

**46 cm (18.1")
COLOR LCD MONITOR**



Additional Features

ONE-TOUCH AUTO ADJUSTMENT

A one-touch button centers the displayed image automatically.

MODEL IDENTIFICATION AND TRACKING

The on-screen display lists the individual model name, serial number and total number of usage hours.

ECONOMICAL OPERATION

Automatic PowerManager™ and Off Timer functions minimize power consumption.

SAFETY LOCK

A slot is provided for connection of a security cable, and is designed to support Kensington's MicroSaver® security system.

REGULATORY STANDARDS



Accessories

i-Sound™ L2

SOUND UNIT

Powered from the monitor, this stereo speaker unit attaches directly to the bezel and delivers an output of 2 watts per channel.

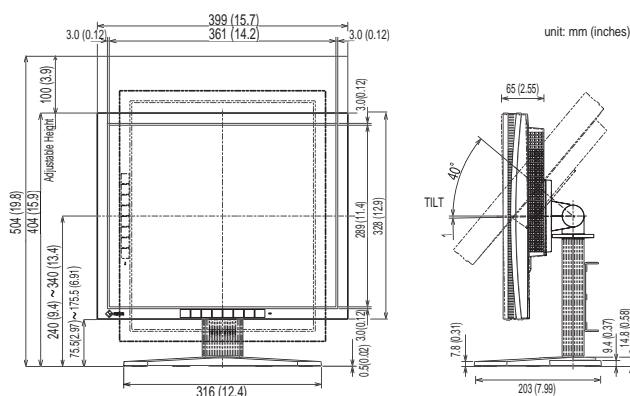
FW-03

PROTECTION SHEET

Protects the screen surface from dust and scratches.



Dimensions



Specifications

Panel Size and Type	46 cm (18.1") TFT color LCD panel
Available Cabinet Colors	Gray, Black
Pixel Pitch	0.2805 mm × 0.2805 mm
Display Colors	16.7 million
Viewing Angles	H: 170°, V: 170°
Scanning Frequency	Analog: H: 27- 82 kHz, V: 50 - 85 Hz Digital: H: 27 - 64 kHz, V: 60 Hz (VGA Text: 70 Hz)
Recommended Resolution	1280 × 1024
Brightness	250 cd/m ² (typical)
Contrast Ratio	400:1 (typical)
Response Time	40 ms (typical)
Dot Clock	Analog: 135 MHz, Digital 108 MHz
Input Signals	RGB Analog, DVI Standard 1.0
Input Terminal	DVI-I 29 pin × 2
Active Display Size (H × V)	359 mm × 287 mm
Viewable Image Size	459 mm (diagonal)
Plug & Play ¹	VESA DDC 2B
Screen Control	ScreenManager®, One Touch Auto Adjustment Function
Power Requirements	AC 100 -120V/220-240V, 50-60 Hz
Power Management	VESA DPMS, EIZO MPMS, DVI-DMPM
Power Consumption	56 watts (typical)
Power Save Mode	Less than 5 watts
OSD Languages	English, German, French, Spanish, Italian, Swedish, Japanese
Dimensions (W × H × D)	With Stand: 399 mm × 404 - 504 mm × 203 mm Without Stand: 399 mm × 328 mm × 65 mm
Height Adjustment Range	100 mm
Net Weight	With Stand: 8.0 kg, Without Stand: 5.5 kg
Tilt/Swivel	40° Up, 1° Down / 35° Right, 35° Left
Certifications and Standards	TCO'99 ² , TÜV/Ergonomics, TÜV/GS, c-Tick, CE, CB, UL 1950, CSA C22.2 No.950, FCC-B, Canadian ICES-003-B, TÜV/S, VCCI-B, EPA ENERGY STAR®
USB Standard	USB Standard Rev. 1.1
USB Ports	1 upstream, 4 downstream
Supplied Accessories	AC power cord, user's manual, signal cables (DVI-D ~ DVI-D, D-Sub ~ DVI-I), EIZO LCD Utility Disk (with ICC profile), warranty registration card

¹ Only valid when computer supports all Plug & Play functions (personal computer, graphics board, Windows® 95/98/2000). For more details, please refer to the Windows 95/98/2000, personal computer, and graphics board manuals or contact the manufacturers.

² Black cabinets are not TCO'99 compliant. With current LCD technology, a panel may contain a limited number of missing or flickering pixels.

Specifications are subject to change without notice.

ENERGY STAR is a U.S. registered mark. As an ENERGY STAR® Partner, Eizo Nanao Corporation has determined that the products specified herein meet the ENERGY STAR® guidelines for energy efficiency. Copyright© 2001 Eizo Nanao Corporation. All rights reserved. All product names are trademarks or registered trademarks of their respective companies. PowerManager, Screen Administrator, and i-Sound are trademarks, and FlexScan, EIZO, and ScreenManager are registered trademarks of Eizo Nanao Corporation.

EIZO NANAO CORPORATION
153 Shimokashiwano, Matto, Ishikawa 924-8566 Japan
Phone +81-76-277-6792 Fax: +81-76-277-6793
Web: www.eizo.com

